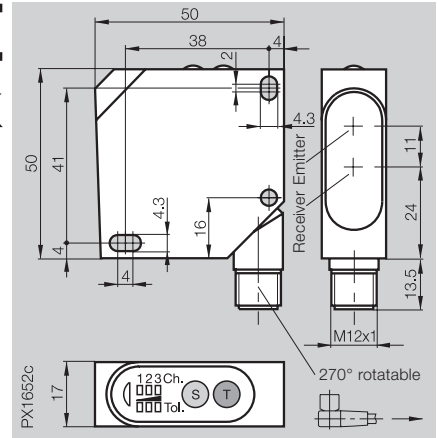


Robotics, automation, quality assurance and production processes are among the applications for color sensors. The **BFS 26 K** color sensor is uniquely suited for

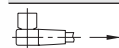
- quality assurance
- part selection
- discriminating cable conductors.

The BFS 26K uses white light, making it especially insensitive to ambient light. This provides you with reliable data in challenging applications. Making your setting is child's play, since the controller handles data configuration via IO-Link.

Series	<b>BFS 26K</b>
Output signal	<b>IO-Link</b>
Working range in diffuse mode	12...32 mm
Working range in reflector mode	50...200 mm



Color Sensor	PNP	BFS 26K-IX-L01-S4
<b>Electrical</b>		
Supply voltage $U_s$		12...28 V DC
Ripple		10 %
No-load supply current $I_0$ max.		≤ 40 mA
Switching output		3× PNP transistors
Output current		100 mA
Output circuit		Light-on
Voltage drop $U_d$ at $I_e$		≤ 2.4 V
Settings		Teach-in
<b>Optical</b>		
Emitter, light type		pulsed white light
Light spot geometry		round
Light spot diameter		∅ 4 mm at 22 mm range
Range tolerance		±6 mm at Tol. 3
Color resolution tolerance		adjustable in 5 levels
<b>Indicators</b>		
Power indicator		LED green
Output function indicator Ch. 1...Ch. 3		3× LED yellow
Output function indicator Tol. 1...Tol. 5		3× LED red
<b>Time</b>		
Ready delay		300 ms
Response time		1 ms
Frequency of operating cycles $f$		500 Hz
Time functions		50 ms OFF delay selectable
<b>Mechanical</b>		
Dimensions		50×50×17 mm
Connection type		M12 connector, 4-pin
Housing material		Impact-resistant ABS
Optical surface		PMMA
Weight		40 g
<b>Ambient</b>		
Enclosure rating per IEC 60529		IP 67
Polarity reversal protected		yes
Short circuit protected		yes
Ambient temperature range $T_a$		-10...+55 °C
Ambient light rejection per		EN 60947-5-2
<b>IO-Link</b>		
Mode		COM 2
Baud rate		38.4 Kbaud
Parameter		max. 5 colors, 5 tolerance ranges, N.O./N.C., button disable



Connector orientation