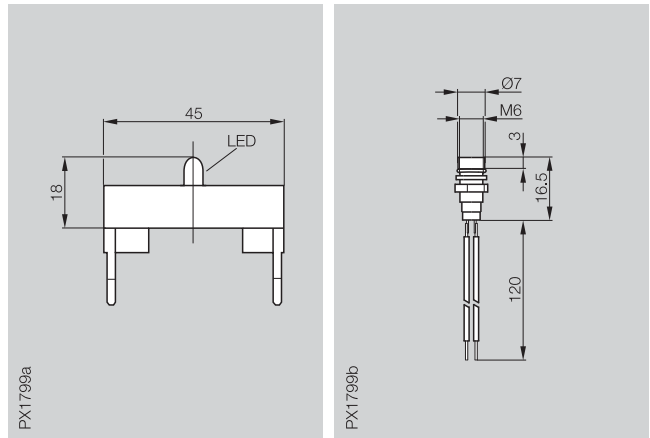


Type	FD/FE	FC
Application with		
Multiple position switches <b>FD</b> 6...60 V DC/AC	510870	
Multiple position switches <b>FE</b> 90...250 V DC/AC	510880	
Multiple position switches <b>FD</b> 24...28 V DC/AC		149730
Function indicator	LED yellow	LED yellow
Material	PBT	PBT
Version	plug-in	universal



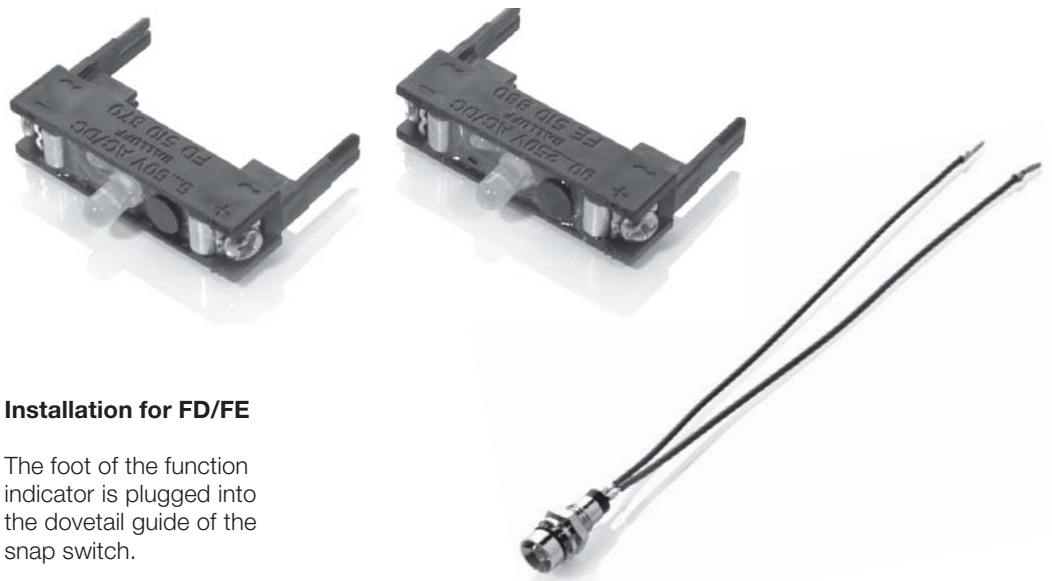
**Plug-in function indication**

For switches assembled with BSE 30.0 and BSE 61 switch elements we offer plug-in function indicators type FD/FE. For switches fitted with BSE 85 we offer the FC function indicator.

A yellow LED indicates the function of the switch position. The LED is visible through a plastic lens on the housing cover.

Three voltage ranges are available for multiple position switches with quick-change unit:

- 6...60 V AC/DC (FD)
- 90...250 V AC/DC (FE)
- 24...28 V DC (FC)



**Installation for FD/FE**

The foot of the function indicator is plugged into the dovetail guide of the snap switch.

**Installation for FC**

The FC function indicator is screwed directly into the cover.

