

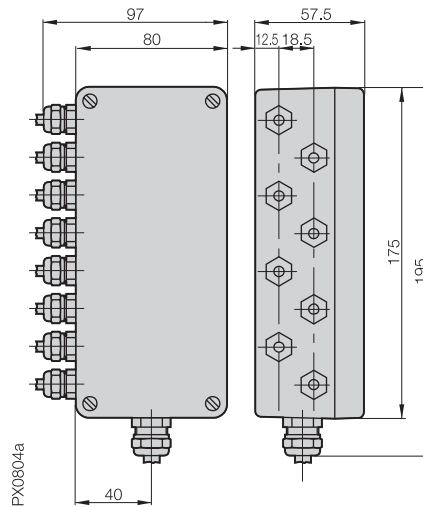
The terminal boxes are necessary not only for the functionality of the remote system.

They can also be used when there is no other way to connect the sensors to the transmitter.



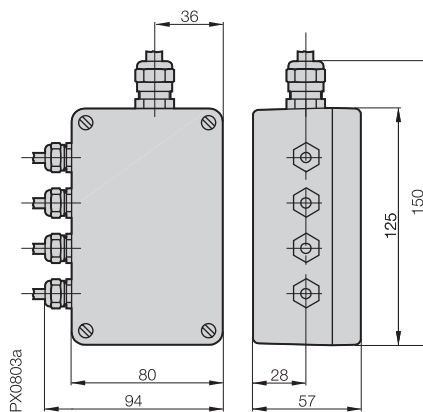
Terminal box RFK 3101 for Remote System

- 8 x PG 7
- 1 x PG 9
- IP 65
- Attach using 2 M4 screws



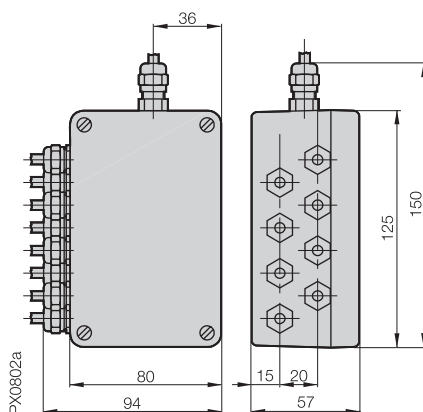
Terminal box RPK 2102 for Power Remote System 4x

- 4 x PG 7
- 1 x PG 9
- IP 65
- Attach using 2 M4 screws



Terminal box RPK 2101 for Power Remote System 8x

- 8 x M8
- 1 x PG 9
- IP 65
- Attach using 2 M4 screws

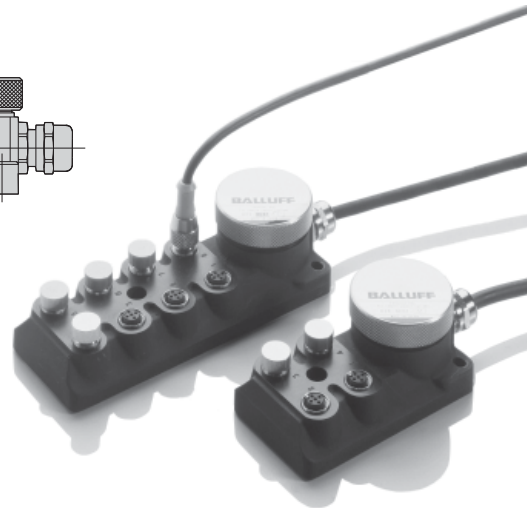
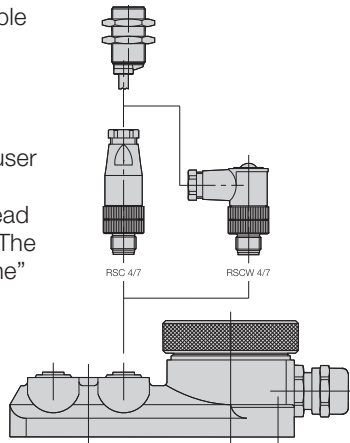


Rugged distribution boxes for easy connection of the sensors to the transmitter in a power remote system.

The power remote system is connected using a terminal block with spring clamps – no screws required. The sensors are connected using standard M12 connectors.

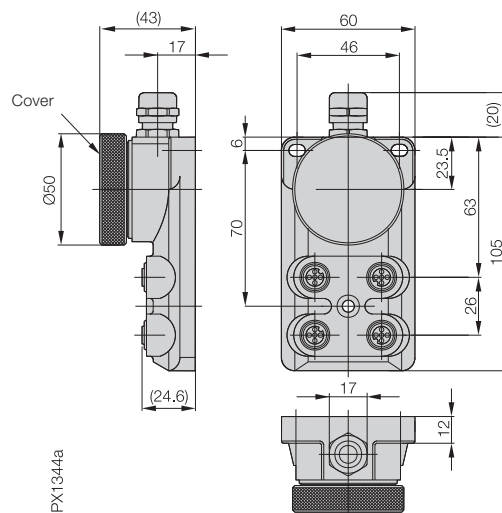
Sensor with cable

Connector for user assembly with connection thread. See brochure "The Accessories Line"



**Distribution box
RPK 4C01-P (4x)**

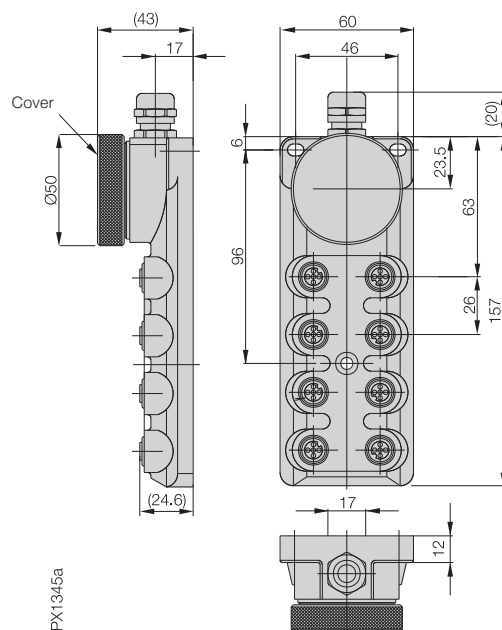
Sensor connection via RSC or RSCW is possible.



PX1344a

**Splitter box
RPK 8C01-P (8x)**

Sensor connection via RSC or RSCW is possible.



PX1345a