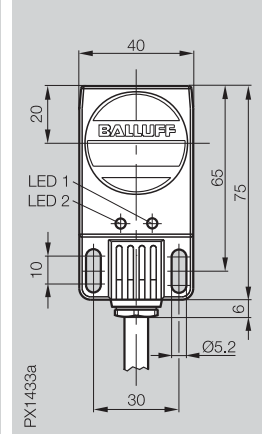
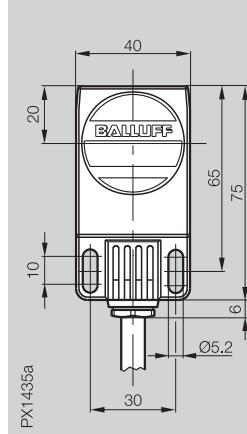
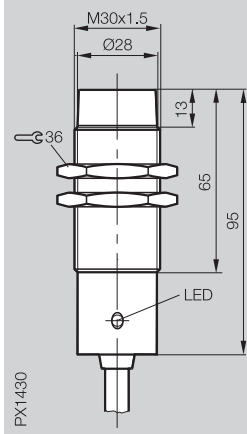
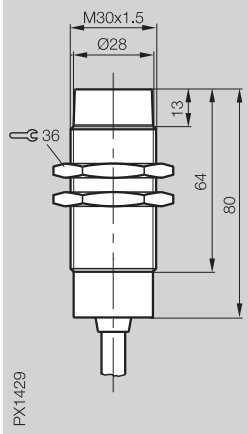


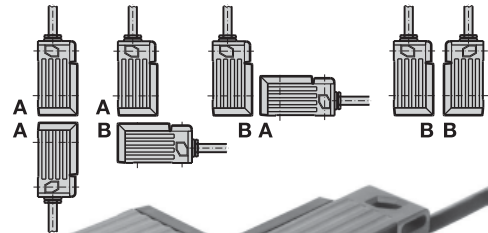
Housing size	M30x1.5	M30x1.5	40x75x40 mm	40x75x40 mm
Type	Transmitter ←.....→ Output sensor	Transmitter ←.....→ Output sensor	Transmitter ←.....→ Output sensor	Transmitter ←.....→ Output sensor
Transmission distance	5 mm		8 mm	
Installation type	non-flush	non-flush	non-flush	non-flush



Transmitter	RGPT 3005-V1215-PU-05	RGPE 3005-V1215P-PU-05	RGPT 4008-V1220_-PU-05*	RGPE 4008-V1220P_-PU-05*
Output sensor PNP				
Assured transmission distance	2...5 mm		3...8 mm	
Supply voltage U_B incl. ripple		24 V DC $\pm 10\%$		24 V DC $\pm 10\%$
Voltage drop U_d at I_e		≤ 1.5 V		≤ 1.5 V
Rated operational current I_e		≤ 50 mA per output		≤ 50 mA per output
No-load supply current I_0 max.		≤ 400 mA		≤ 500 mA
Off-state current I_r		≤ 80 μ A		≤ 80 μ A
Short circuit protected		yes		yes
Tightening torque	40 Nm	40 Nm		
Radial offset	± 3 mm		± 3 mm	
Operating current (for sensors)	≤ 150 mA		≤ 200 mA	
Output voltage (for sensors)	12 ± 1.5 V DC		12 ± 1.5 V DC	
Rated insulation voltage U_i	75 V DC		75 V DC	
Ambient temperature range T_a	0...+50 °C	0...+50 °C	0...+50 °C	0...+50 °C
Switching frequency f		60 Hz		60 Hz
Function/Supply voltage indicator		yes/no		yes/yes
Degree of protection per IEC 60529	IP 67	IP 67	IP 67	IP 67
Housing material	Nickel plated brass	Nickel plated brass	Al	Al
Material of sensing face	ABS/PBT	ABS/PBT	ABS/PBT	ABS/PBT
Connection type	5 m PUR cable	5 m PUR cable	5 m PUR cable	5 m PUR cable
No. of wires \times cross-section	9x0.18 mm ² + 2x0.5 mm ²	9x0.18 mm ² + 2x0.5 mm ²	9x0.18 mm ² + 2x0.5 mm ²	9x0.18 mm ² + 2x0.5 mm ²
for max. 8 sensors				

For your electrical planning, please ask for the user's guide!

*For type RGPT4008/RGPE 4008 select between version **A** or **B**
Version A: Sensing face in front
Version B: Sensing face on side
Ordering example: RGPE 4008-V1220**PA**-PU-05



G-POWER REMOTE

Inductive Transmission Systems

G-Power Remote Sensors
Transmitter/Output sensor
for max. 8 sensors

90x90x45 mm

Transmitter

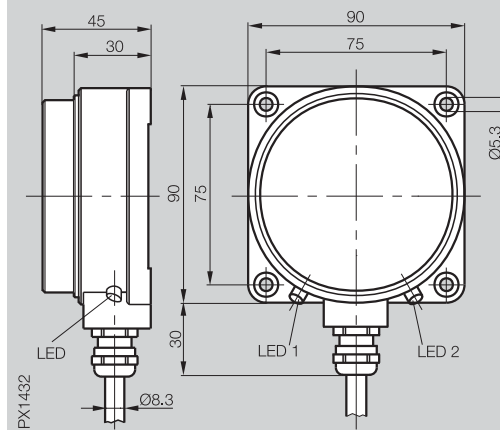
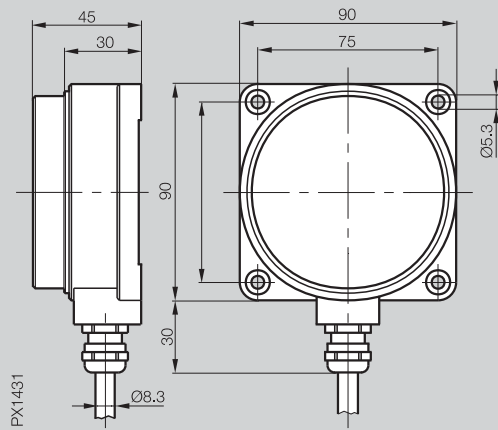
12 mm

non-flush

90x90x45 mm

Output sensor

non-flush



RGPT 9012-V2430-PU-05

RGPE 9012-V2430P-PU-05

4...12 mm

24 V DC $\pm 10\%$
 ≤ 1.5 V
 ≤ 50 mA per output
 ≤ 800 mA
 ≤ 80 μ A
 yes

± 6 mm
 ≤ 300 mA
 24 ± 1.5 V DC
 75 V DC

0...+50 °C

0...+50 °C
 60 Hz
 yes/yes

IP 67

IP 67

Al
 ABS/PBT

Al
 ABS/PBT

5 m PUR cable
 9×0.18 mm² + 2×0.5 mm²

5 m PUR cable
 9×0.18 mm² + 2×0.5 mm²

for max. 8 sensors

