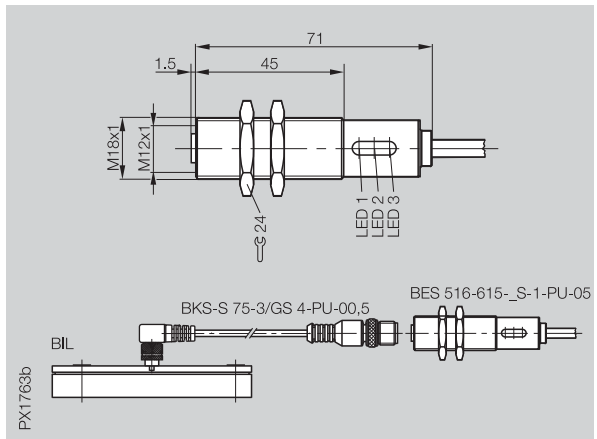
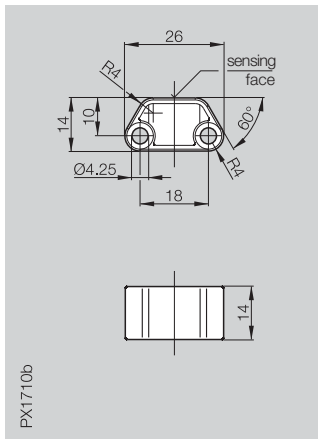
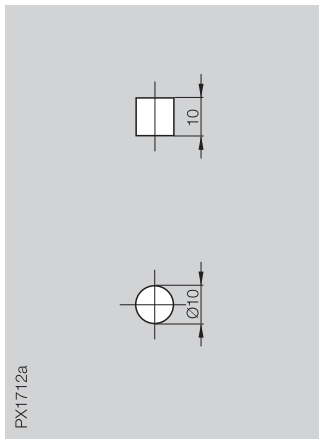


Magneto-inductive Position Sensors Accessories

| | | | |
|--------------|------------------------|--------------------------|------------------------------------|
| Description | Position marker | Position marker | Analog set point controller |
| Housing size | Ø 10x10 mm | 26x14x14 mm | M18x1 |
| Material | Hard ferrite | Fiberglass reinforced PA | Nickel plated brass |
| Distance "D" | 2 mm | 1 mm | - |



| | | | |
|---------------|--------------|--------------|------------------------|
| Ordering code | BIL 000-MH-A | BIL 001-MH-A | BES 516-615-_S-1-PU-05 |
|---------------|--------------|--------------|------------------------|

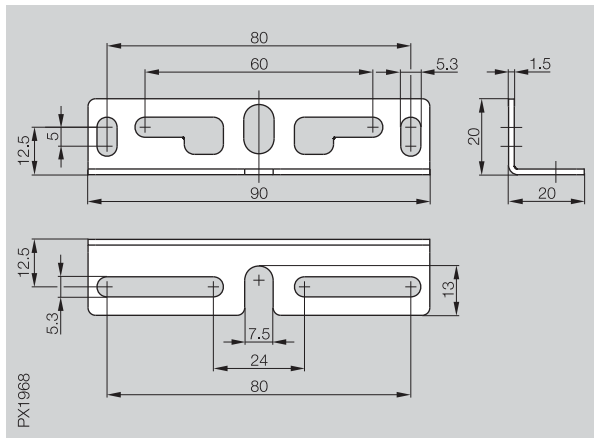
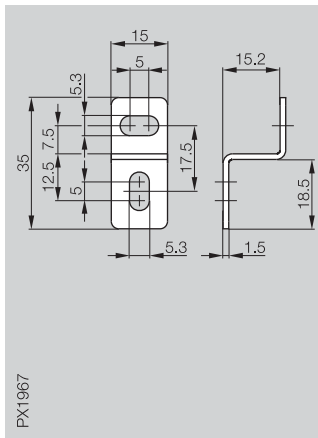
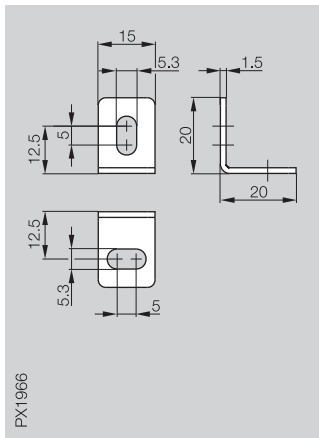


- Analog output
- PNP- or NPN normally open
- Input signal 0...10 V
- Resolution 8 bits
- 3 binary switching points
- Teach-in



For technical data see page 6.16

| | | | |
|-------------|-------------------------|-------------------------|-------------------------|
| Description | Mounting bracket | Mounting bracket | Mounting bracket |
| Material | Stainless steel | Stainless steel | Stainless steel |



| | | | |
|---------------|-------------|-------------|-------------|
| Ordering code | BIL 01-HW-1 | BIL 01-HW-2 | BIL 01-HW-3 |
|---------------|-------------|-------------|-------------|

Installation examples

