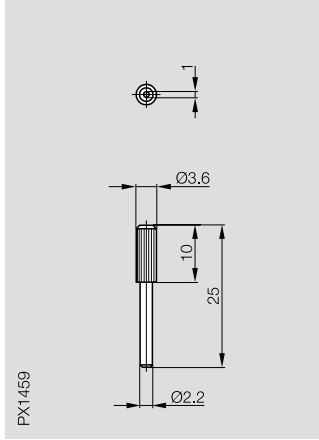
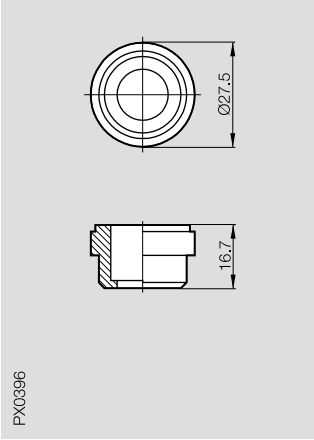
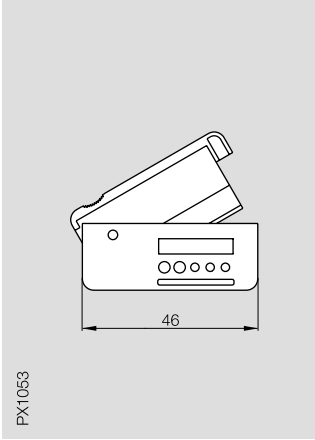


	Adapter for plastic fiber optics Ø 1.0 mm to Ø 2.2 mm	Adapter fiber optics BFO 18V to BOS 30	Cutting Tool for shortening plastic fiber optics Ø 2.2 mm or Ø 3 mm
	 <p>PX1459</p>	 <p>PX0396</p>	 <p>PX1053</p>
Ordering code	BFO D10-LA-DC-10	BFO 30-A1	BFO CT

Adapter for Ø 1 mm plastic fibers to increase diameter to 2.2 mm for connecting to base units.

For attaching glass fiber optics BFO 18-**V** to M30 diffuse sensors. First remove the M18 adapter adhered to the glass fiber optics.

