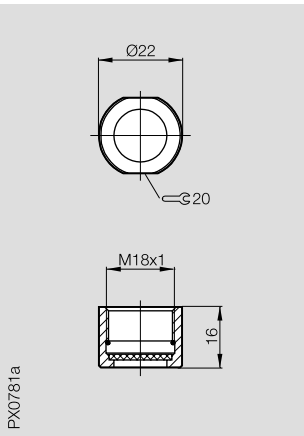


Neutral Filter
for BOS 18

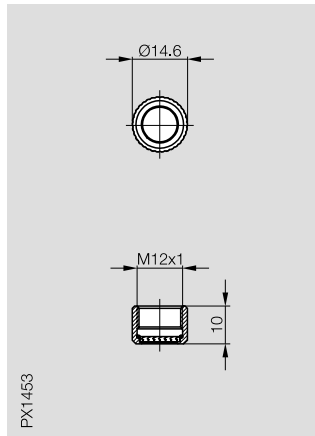
Protective End Cap
for BOS 12

Protective End Cap
for BOS 18

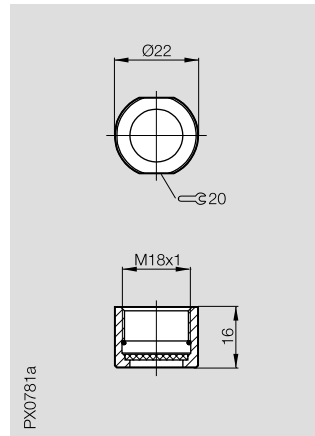
Protective End Cap
for BOS 18
with flat front surface



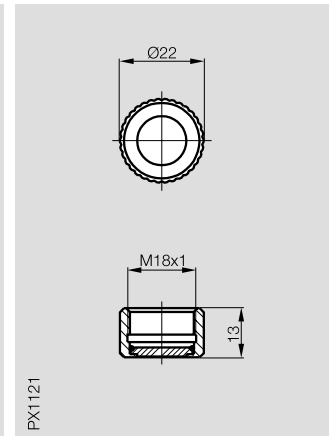
BOS 18-NF-_*



BOS 12-SM-1



BOS 18-SM-1



BOS 18-SM-2

* 1 = 50 % transmission
2 = 75 % transmission

Neutral filters weaken the in-falling light, without changing its spectral characteristics. The neutral filter is made of glass with a vacuum coated material layer. This is hard, non-peeling and resistant to aging. Clean the filter using standard commercial optical cleaners.

Housing: PA 6

The protective end cap is made with tempered glass and can be used with all M12 opto switches. These caps are used to protect the optics from mechanical or thermal damage. Sparks from welding will not damage the hardened glass lens.

The protective end cap is made with tempered glass and can be used with all M18 opto switches. These caps are used to protect the optics from mechanical or thermal damage. Sparks from welding will not damage the hardened glass lens.

The protective cap can be used in combination with all BOS 18M and BOS 18K sensors. It protects the optics from the effects of welding sparks for example. For increased protection the BOS 18-SM-2 is made of metal, providing even better protection for the sensor optics. The heat-resistant glass closes flush with the front surface of the protective cap, preventing dust deposits to accumulate and degrade the range. A ring between the sensor and protective glass makes sure the system is sealed.

